

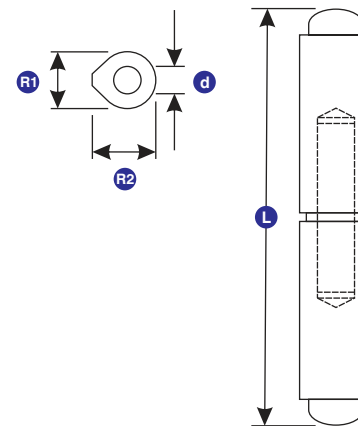
Weld-on Hinges

Made from Aluminium, these weld-on hinges have a slim design, great for installation with limited mounting area. They are ideal for use in areas with limited space, once installed the hinged article (ie. door) can be easily removed to gain better access.

- Profile:** Aluminium (AlMg SI 0,5)
- Pin:** Stainless Steel 304 (1.4305)
- Type:** Fixed
- Washer:** Stainless Steel 304 (1.4305)
- Grease Fitting:** None



Weld-on Hinge Dimensions



Weld-on Hinge Specifications

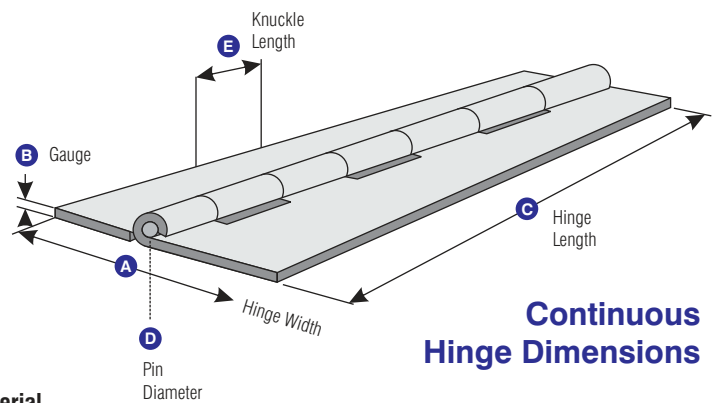
Part No.	L Length	R1 Radius 1	R2 Radius 2	d Pin Diameter	Weight (g)
179/017	100	16	20	10	7.7
179/018	150	20	25	13	18.5
179/018/1	180	20	25	14	24.5

Continuous Hinges

Our continuous hinges are constructed from 304 Stainless Steel making them perfect for marine applications. These hinges come un-drilled to suit your application.

Continuous Hinge Specifications

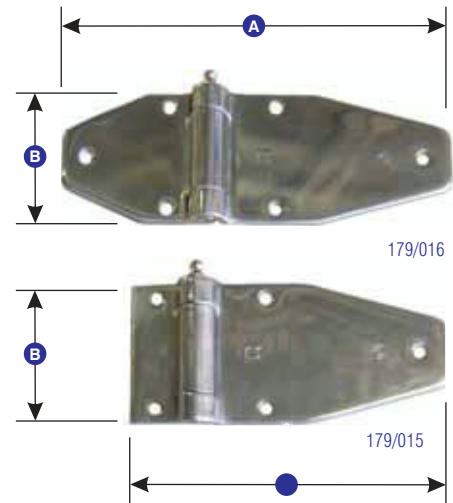
Part No.	A Width	B Gauge	C Length	D Diameter	E Knuckle	Pin Material
179/992	32	1.2	1840	3.00	20	s/steel
179/993/2	40	1.5	1800	4.00	20	s/steel



Continuous Hinge Dimensions

Flap Hinge with Grease Nipple

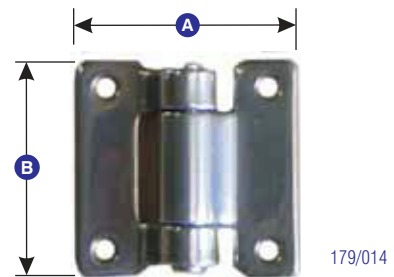
This hinge is made from a flat stamped 3mm Stainless Steel plate and has a Stainless Steel pin with grease tunnel.



Part No.	Description	^A Length mm	^B Length mm	Pin Material
179/015	Flap Hinge with Grease Nipple	146	65	s/steel
179/016	Flap Hinge with Grease Nipple	186	65	s/steel

Heavy Duty Hinge

Pressed, 4mm thick, polished marine grade Stainless Steel with a solid 8mm pin.

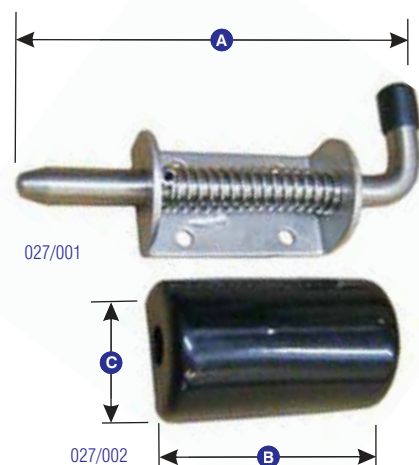


Part No.	Description	^A Length mm	^B Width mm	Material
179/014	Heavy Duty Hinge	60	60	s/steel

spring bolts

Spring Bolts

This heavy duty spring bolt is constructed from 304 Grade Stainless Steel. It is ideal for use on marlin doors or similar. Black plastic cover available.



Part No.	Description	^A Length mm	^B Length mm	^C Width mm	Material
027/001	Spring Bolt	150			s/steel
027/002	Spring Bolt Cover		74	42	plastic

Spring Bolt Dimensions